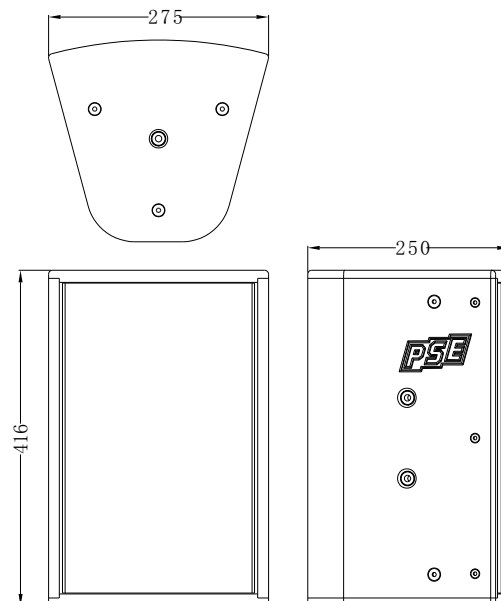
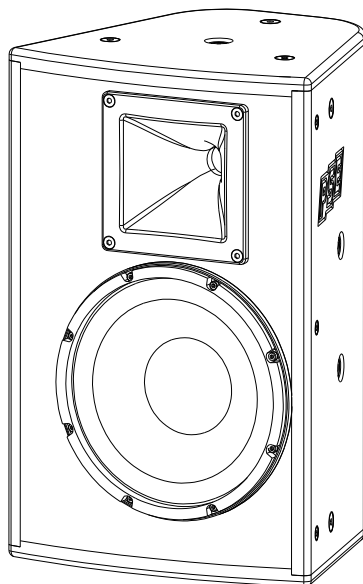
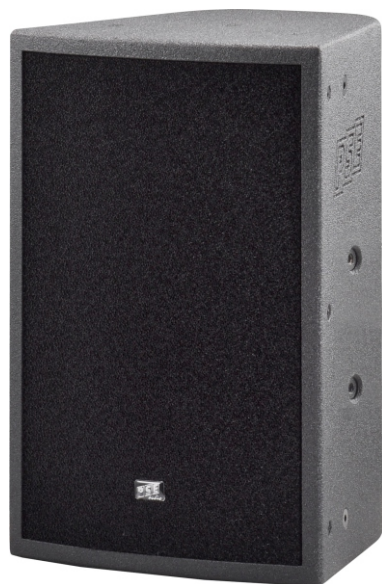




IPS-8



specification	
model	IPS-8
rated impedance	8 Ω
operation mode	passive
power handling capacity passive AES/peak*	300W / 900W*
available frequency response**	68Hz-20kHz
max. sound pressure level***	127dB
directivity (h x v)	90°/60° (90°rotatable)
LF-transducer rated size	8"
LF-transducer voice coil diameter	52mm/2"
LF-transducer magnet structure	ferrite
HF-compression driver rated size (VC)	34mm/1.35"
HF-compression throat diameter	1"
HF-compression magnet structure	ferrite
dimension h/w/d in mm	416/275/250
weight	11kg

Features IPS-8

- 1x8" speaker ferrite (52mm/2" voice coil)
- 1x1.35" (34mm) compression driver ferrite
- high frequency horn 1" throat
- horn directivity h90°/v60°
- 90° turnable high frequency horn to v60°/h90°
- trapezoid housing
- 7 + 12 M8 mounting points
- 2 Neutrik speakon 4-pin
- bass link function
- high-mid link function
- perforated steel front grill powder coated
- acoustic foam 10mm
- wood housing class A MDF 15mm
- polyurea (PU) high scratch proof coating
- optional regular painting black or white

Appliance IPS-8

- high-mid unit for fix installation
- background music

Application IPS-8

- discotheque, clubs, bars, entertainment, meeting room

small variety of wide range for bass cabinets extension

